

Made of plastic PA6 GF 30

End and through distributor sockets made of high strength, glass fibre reinforced plastic (PA6 GF 30) with large range of applications. Optionally 1 or up to 3 connection options as well as 2 thread sizes for internal and external threads (cannot be combined). For vertical carrying of media.

Universal distributor socket with up to 6 connection options. Suitable for vertical and/or horizontal carrying of media or the secure connection (avoidance of existing components) of pressure reducer or maintenance device, for example.

All distributor sockets have a durable brass threaded insert, whose shape secures it against rotation and against axial shift due to its shape.

Suitable for media compressed air (ambient temperature -10 °C to 50 °C) or water (ambient temperature 1 °C to 50 °C). Drilling diagram dimensions are identical for all distributor sockets, so a simpler and more flexible exchange between end, through and universal distributor sockets is ensured.

Caution:

Note that the distributor sockets should not be installed in danger zones. Danger zones are, for example, transport routes, escape routes, etc.

Operating pressure:	max. 15 bar
Ambient temperature compressed air:	-10 °C to 50 °C
Ambient temperature water:	1 °C to 50 °C
Housing:	Glass fibre-reinforced plastic PA6 GF 30
Port:	Brass
Max. tightening torque brass thread:	12 Nm
Max. tightening torque mounting holes:	4 Nm

End distributor without through-hole thread, PN 15

Art. No.	Type No.	Inlet thread	Through-hole thread	Thread
112613	EVD12-1	G 1/2	-	1 x G 1/2
112614	EVD12-2	G 1/2	-	2 x G 1/2
112615	EVD12-3	G 1/2	-	3 x G 1/2
112616	EVD34-1	G 3/4	-	1 x G 1/2
112617	EVD34-2	G 3/4	-	2 x G 1/2
112618	EVD34-3	G 3/4	-	3 x G 1/2



EVD12-1



EVD12-2



EVD12-3

Through distributor with through-hole thread, PN 15

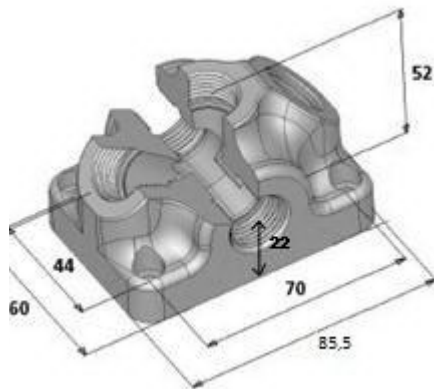
Art. No.	Type No.	Inlet thread	Through-hole thread	Thread
112619	DVD12-1	G 1/2	G 1/2	1 x G 1/2
112620	DVD12-2	G 1/2	G 1/2	2 x G 1/2
112621	DVD12-3	G 1/2	G 1/2	3 x G 1/2
112622	DVD34-1	G 3/4	G 3/4	1 x G 1/2
112623	DVD34-2	G 3/4	G 3/4	2 x G 1/2
112624	DVD34-3	G 3/4	G 3/4	3 x G 1/2

Universal distributor with through-hole thread, PN 15

Art. No.	Type No.	Inlet thread	Through-hole thread	Thread
194135	UVD12-6	G 1/2	G 1/2	6 x G 1/2

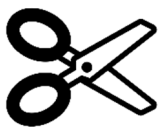


UVD12-6



DVD12-3

Drilling template for cutting out (*original template*):



Drillings in the box: Ø5.5mm
Ideal plugs: Ø6mm
Ideal screws: Ø4mm flat head